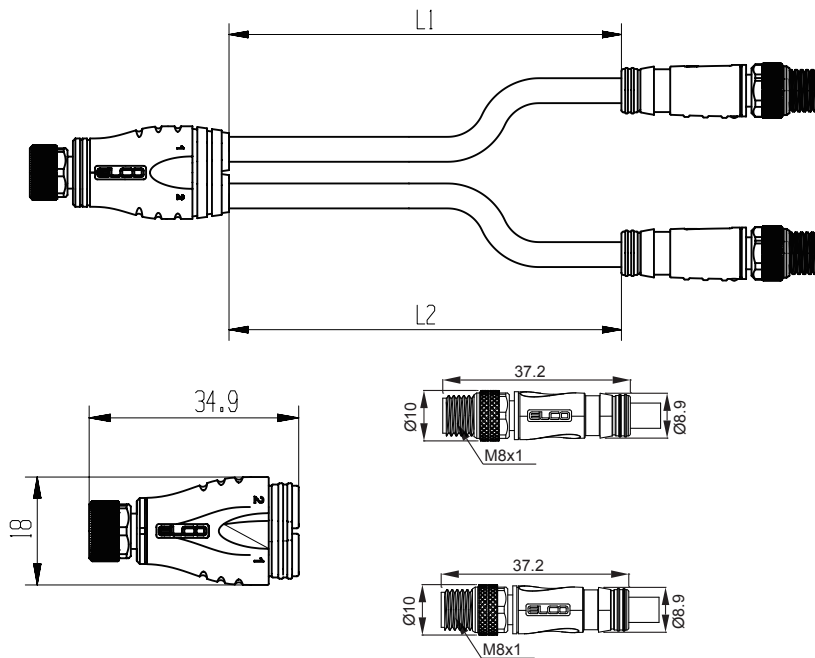


Technical data:

Type	ECS-FE2C8.3-0.15/0.15/P
Description	4-3/3 core
Pin	4-3/3
Operating voltage	max. 30 VAC/DC
Operating current per contact	max.4A
Coding	A-coded
Locking of ports	Screw thread (M8x1 mm) recommended torque 0.4 Nm, self-securing
Material	TPU
Locking material	Zinc die casting, matte nickel plated
Cable Material (out Jacket)	PUR
Jacket Color	Gray
No./diameter of wires	3*0.25mm ²
Wire isolation	PP (br, bl, bk)
Material (wire)	Cu wire, bare
Outer Ø	4.4±0.15mm
Ambient Temperature(Cable /Body)	-40...80°C/-25...90 C
Cable length L1/L2	0.15m/0.15m
Protection	IP67

Size



Circuit design

